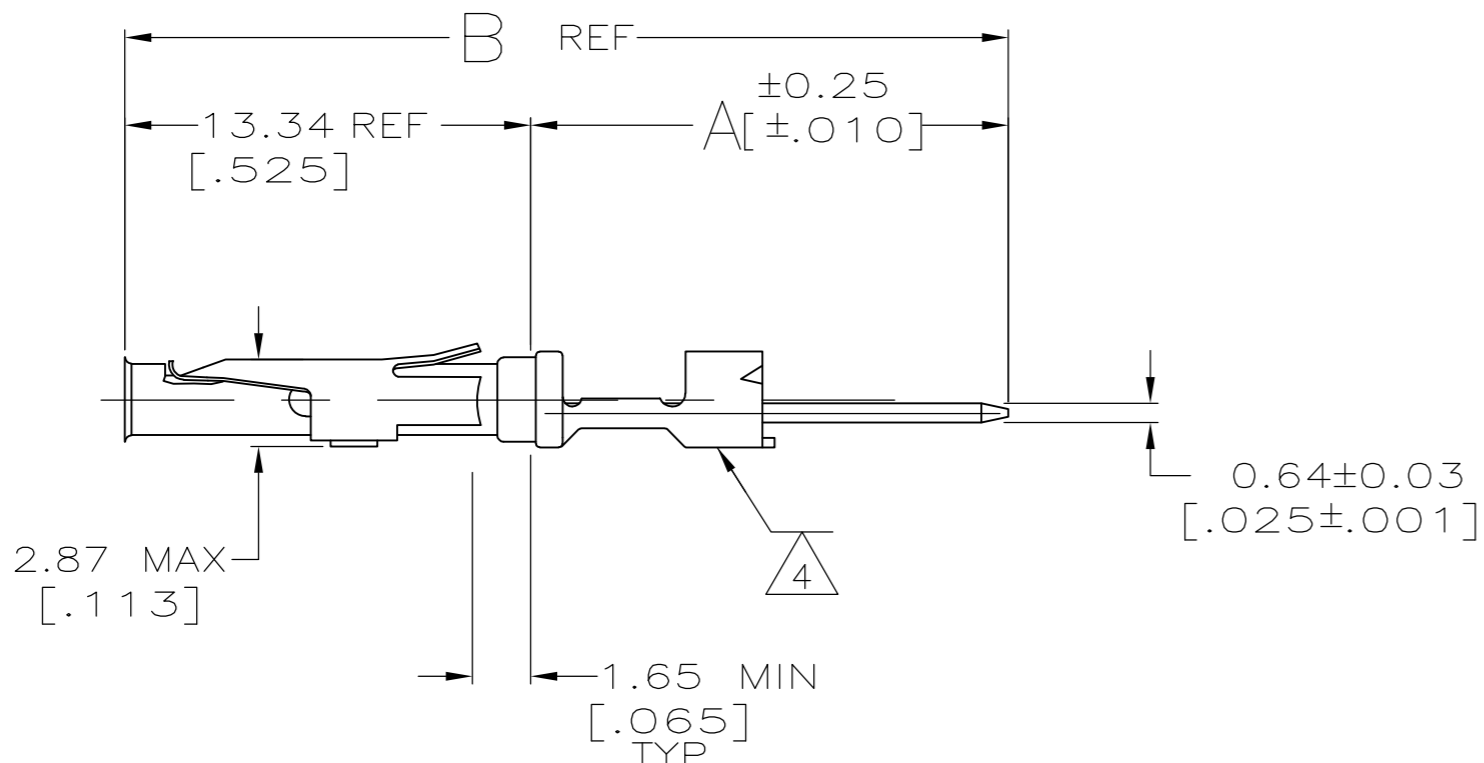
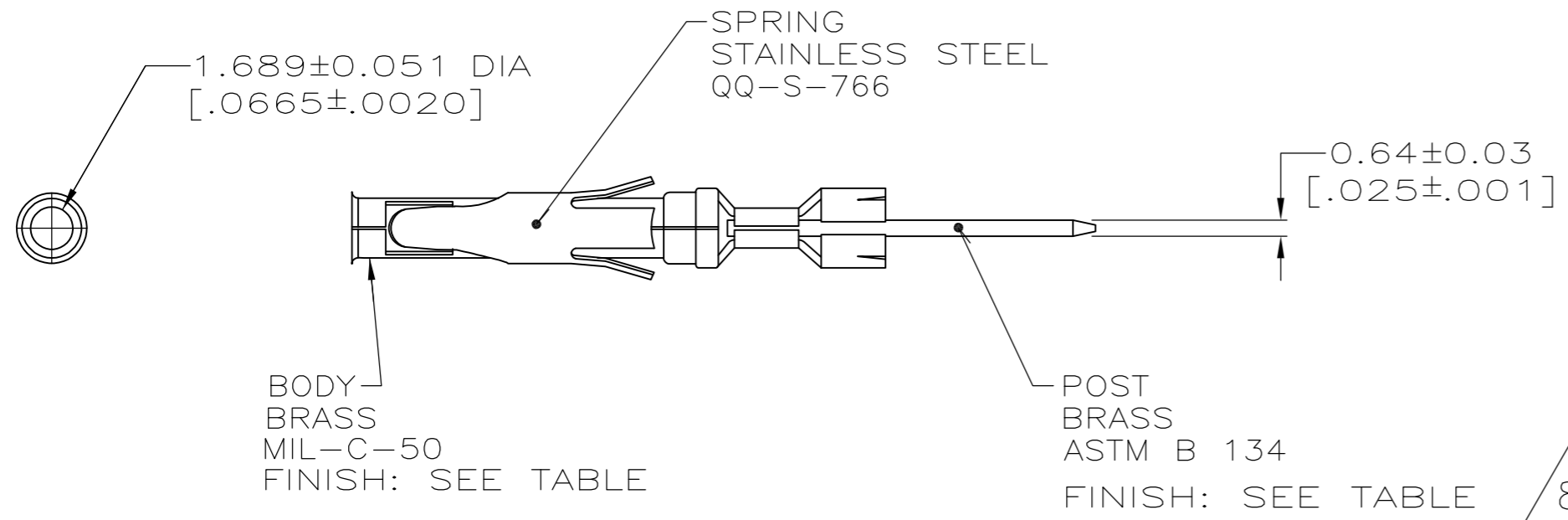


THIS DRAWING IS UNPUBLISHED. RELEASED FOR PUBLICATION
 © COPYRIGHT - By - ALL RIGHTS RESERVED.

LOC		DIST		REVISIONS			
P	LTR	DESCRIPTION	DATE	DWN	APVD		
	AV5	REVISED PER ECO-11-004820	11MAR11	RK	HMR		



- 1 2.54um [.000100] MIN TIN-LEAD PER MIL-T-10727 OVER
1.27um [.000050] MIN NICKEL PER QQ-N-290.
- 2 2.76um [.000030] MIN GOLD PER MIL-G-45204 ON MATING END FOR
A LENGTH OF 5.08 [.200] MIN WITH A UNIFORM GRADIENT TO 0.25um
[.000010] MIN GOLD PER MIL-G-45204 ON THE REMAINDER OVER
1.27um [.000050] MIN NICKEL PER QQ-N-290.
- 3 2.54um [.000100] MIN TIN-LEAD PER MIL-T-10727 OVER
1.27um [.000050] MIN NICKEL PER QQ-N-290.
- 4 GOLD PLATING NEED NOT APPEAR ON WIRE BARREL.
- 5 0.76um [.000030] MIN GOLD PER MIL-G-45204 ON MATING END FOR
A LENGTH OF 5.08 [.200] MIN, GOLD FLASH ON THE REMAINDER OVER
1.27um [.000050] MIN NICKEL PER QQ-N-290.
- 6 .000100 MIN TIN PER MIL-T-10727, OVER
.000050 MIN NICKEL PER QQ-N-290.
- 7 .000030 MIN GOLD PER MIL-G-45204, OVER
.000050 MIN NICKEL PER QQ-N-290.
- 8 OBSOLETE PARTS: OBSOLETE CIS STREAMLINING PER D.RENAUD/D.SINISI

PRELIMINARY	34.44 [1.356]	21.11 [.831]	2	7	6	5-66461-7
	29.13 [1.147]	15.80 [.622]	1	6	2	5-66461-6
	29.13 [1.147]	15.80 [.622]	1	6	5	5-66461-5
	29.13 [1.147]	15.80 [.622]	1	6	6	5-66461-4
PRELIMINARY	34.44 [1.356]	21.11 [.831]	2	3	1	5-66461-3
	49.40 [1.945]	36.07 [1.420]	SPECIAL	3	5	5-66461-1
8 OBSOLETE	30.68 [1.208]	17.35 [.683]	SPECIAL	3	1	2-66461-2
8 SUPERSEDED	34.44 [1.356]	21.11 [.831]	2	3	1	2-66461-1
	41.48 [1.633]	28.14 [1.108]	SPECIAL	3	5	2-66461-0
	30.68 [1.208]	17.35 [.683]	SPECIAL	3	1	1-66461-9
	29.64 [1.167]	16.31 [.642]	SPECIAL	3	5	1-66461-8
	27.97 [1.101]	14.63 [.576]	SPECIAL	3	5	1-66461-7
OBSOLETE	25.68 [1.011]	12.34 [.486]	SPECIAL	3	5	1-66461-3
OBSOLETE	43.46 [1.711]	30.12 [1.186]	SPECIAL	3	5	1-66461-0
	39.24 [1.545]	25.91 [1.020]	3	3	5	66461-9
	34.44 [1.356]	21.11 [.831]	2	3	5	66461-8
	29.13 [1.147]	15.80 [.622]	1	3	5	66461-7
	39.24 [1.545]	25.91 [1.020]	3	3	2	66461-6
	34.44 [1.356]	21.11 [.831]	2	3	2	66461-5
	29.13 [1.147]	15.80 [.622]	1	3	2	66461-4
	39.24 [1.545]	25.91 [1.020]	3	3	1	66461-3
	34.44 [1.356]	21.11 [.831]	2	3	1	66461-2
	29.13 [1.147]	15.80 [.622]	1	3	1	66461-1
	B	A	NO OF TERM	POST FINISH	BODY FINISH	PART NUMBER

THIS DRAWING IS A CONTROLLED DOCUMENT.

DWN	C.OBERMAN	07/02/92		TE Connectivity
CHK	R.STONE	7-8-92		
APVD	C.OBERMANN	7-10-92		
PRODUCT SPEC				
APPLICATION SPEC			NAME	
MATERIAL			SIZE	
SEE CALLOUT			A2	
FINISH			CAGE CODE	
SEE CALLOUT			00779	
WEIGHT			DRAWING NO	
-			C=66461	
CUSTOMER DRAWING			RESTRICTED TO	
			-	
SCALE			SHEET	
4:1			1 of 2	
			REV	
			AV5	

THIS DRAWING IS UNPUBLISHED. RELEASED FOR PUBLICATION
 © COPYRIGHT - By - ALL RIGHTS RESERVED.

LOC	DIST	REVISIONS					
FT	0	P	LTR	DESCRIPTION	DATE	DWN	APVD
		-		SEE SHEET 1	-	-	-

	B	A	NO OF TERM	POST FINISH	BODY FINISH	PART NUMBER
	49.40 [1.945]	36.07 [1.420]	SPECIAL	△6	△5	9-66461-9
	30.68 [1.208]	17.35 [.683]	SPECIAL	△6	△6	7-66461-0
△8 OBSOLETE	30.68 [1.208]	17.35 [.683]	SPECIAL	△6	△6	6-66461-5
	41.48 [1.633]	28.14 [1.108]	SPECIAL	△6	△5	6-66461-4
	39.24 [1.545]	25.91 [1.020]	3	△6	△5	6-66461-3
	34.44 [1.356]	21.11 [.831]	2	△6	△5	6-66461-2
△8 OBSOLETE	39.24 [1.545]	25.91 [1.020]	3	△6	△2	6-66461-1
△8 OBSOLETE	34.44 [1.356]	21.11 [.831]	2	△6	△2	6-66461-0
	39.24 [1.545]	25.91 [1.020]	3	△6	△6	5-66461-9
	34.44 [1.356]	21.11 [.831]	2	△6	△6	5-66461-8

66461

THIS DRAWING IS A CONTROLLED DOCUMENT.		DWN C.OBERMAN 07/02/92	STE TE Connectivity	
DIMENSIONS: INCHES		CHK R.STONE 7-8-92		
TOLERANCES UNLESS OTHERWISE SPECIFIED:		APVD C.OBERMANN 7-10-92	NAME SOCKET CONTACT, CRIMPED .062 DIA, .025 X .025 POST, AUTOWIRE	
0 PLC ± - 1 PLC ± - 2 PLC ± 0.13 [.005] 3 PLC ± - 4 PLC ± - ANGLES ± -		PRODUCT SPEC -	SIZE A2	
MATERIAL SEE CALLOUT		APPLICATION SPEC -	CAGE CODE 00779	DRAWING NO 66461
FINISH SEE CALLOUT		WEIGHT -	RESTRICTED TO -	SCALE 4:1
CUSTOMER DRAWING			SHEET 2 of 2	REV AV5